

# ATF 70G-4 | MAIN BOOM 52.1 m

70 TON MAX. LIFTING CAPACITY

EUROMOT 4

# ALL TERRAIN CRANE

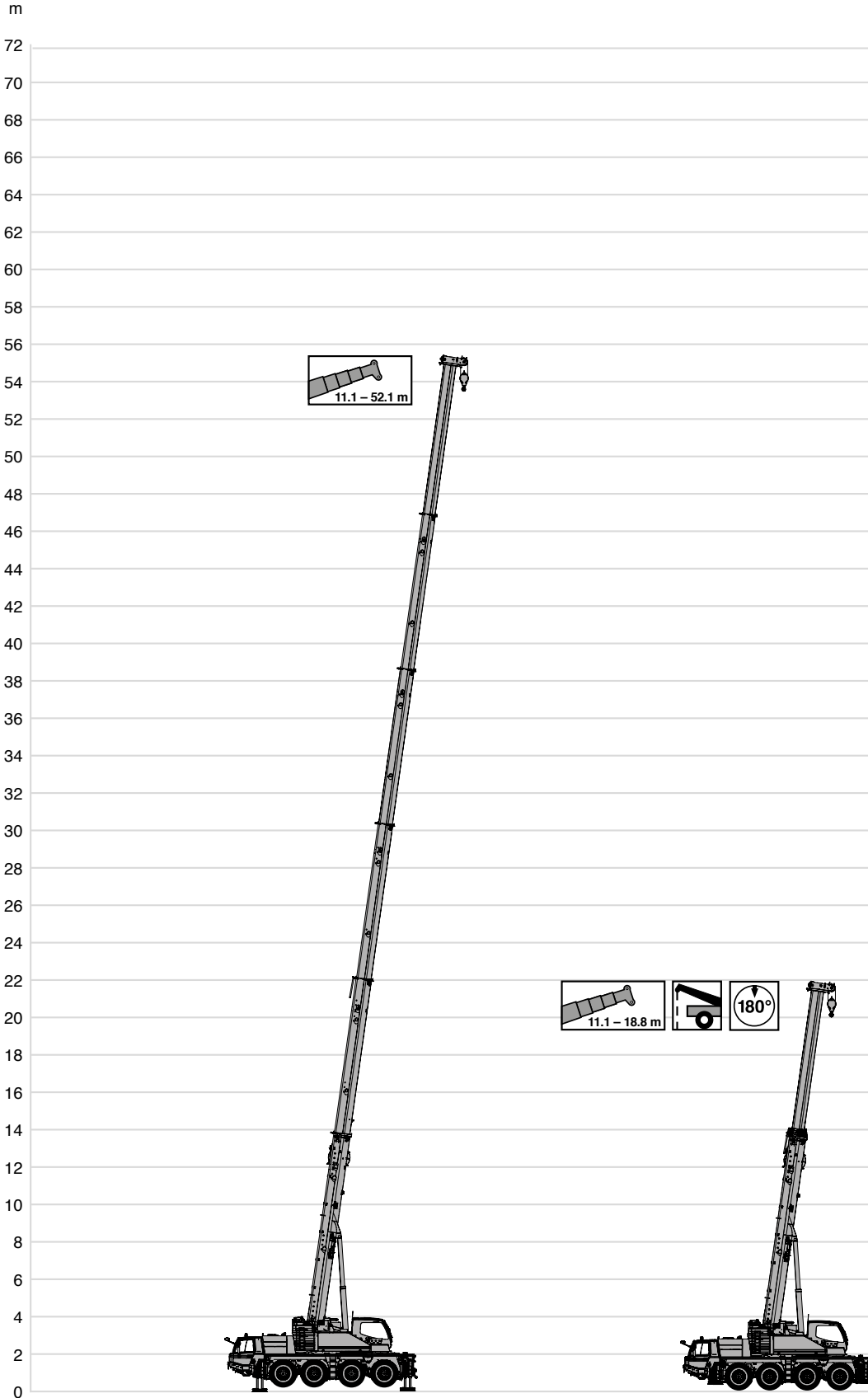


**Tadano ATF70G-4**

**J&M Crane & Transport Ltd**  
*24 Hour Crane & Transport Services*

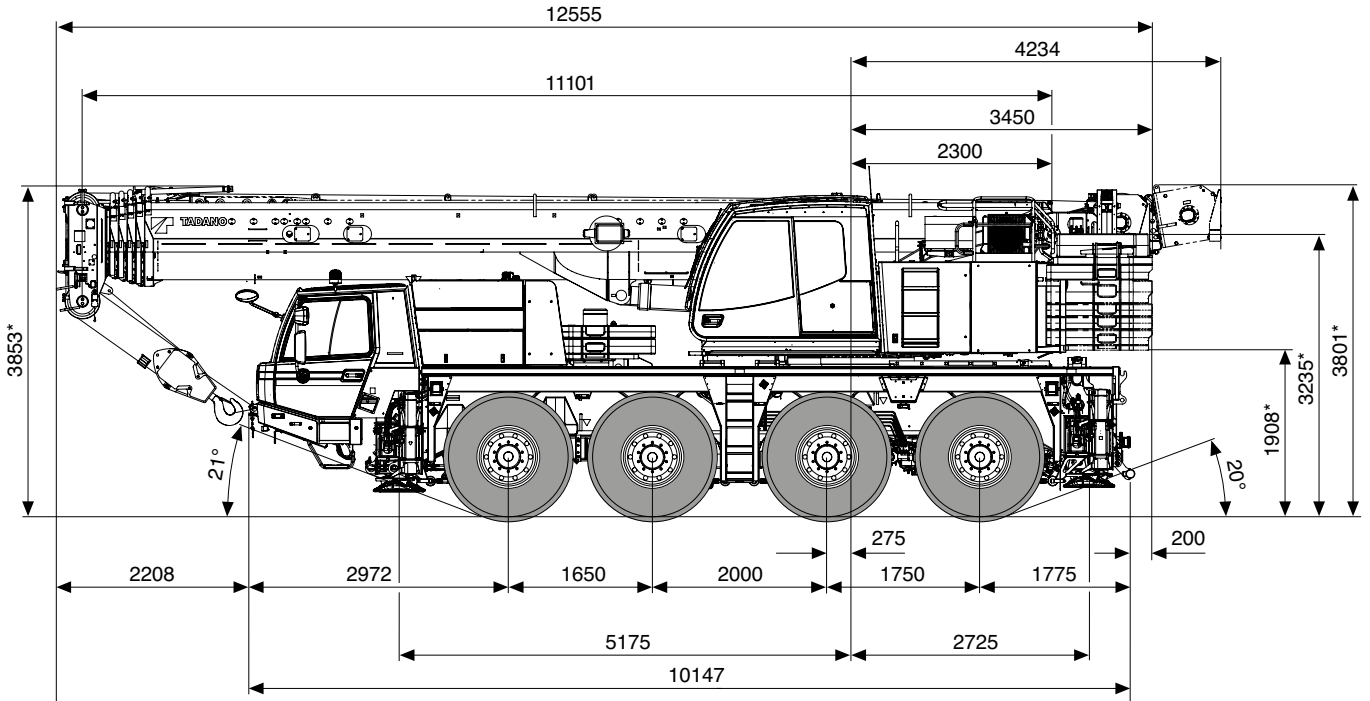
Mobile Cranes - Contract Lifting - Plant Movement - Abnormal Loads - Lorry Loaders

0845 279 4877 | [www.jandmcranehire.co.uk](http://www.jandmcranehire.co.uk) | [info@jandmcranehire.co.uk](mailto:info@jandmcranehire.co.uk)



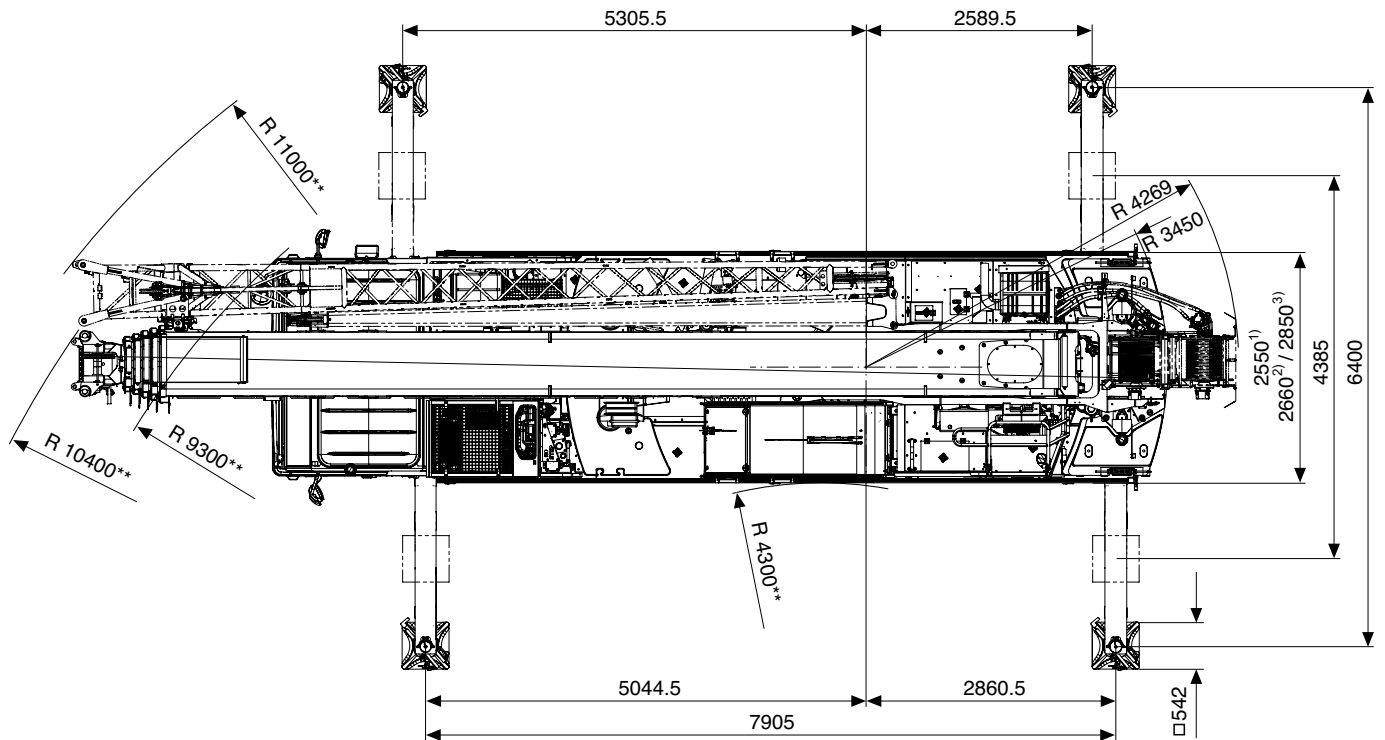
Mobile Cranes - Contract Lifting - Plant Movement - Abnormal Loads - Lorry Loaders

0845 279 4877 | [www.jandmcranehire.co.uk](http://www.jandmcranehire.co.uk) | [info@jandmcranehire.co.uk](mailto:info@jandmcranehire.co.uk)



CL/20111120

\* ± 100



<sup>1)</sup> 385/95 R 25 (14.00 R25)

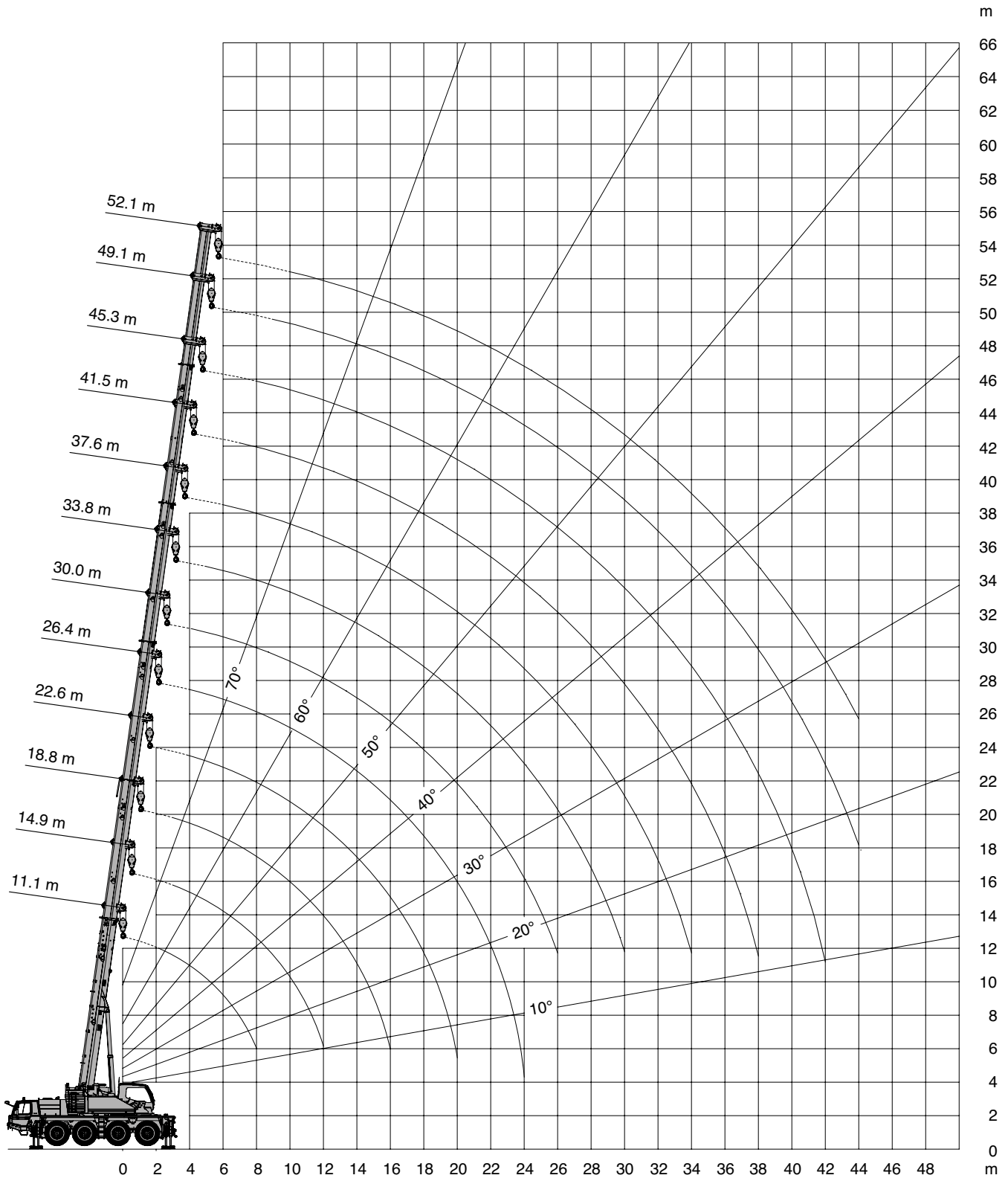
<sup>2)</sup> 445/95 R 25 (16.00 R25)

<sup>3)</sup> 525/80 R 25 (20.5 R25)

\*\* Minimum · minimum · mínimo · minimo · мінімальны

Mobile Cranes - Contract Lifting - Plant Movement - Abnormal Loads - Lorry Loaders

0845 279 4877 | [www.jandmcranehire.co.uk](http://www.jandmcranehire.co.uk) | [info@jandmcranehire.co.uk](mailto:info@jandmcranehire.co.uk)





→ m	11.1 m*	11.1 m	14.9 m	18.8 m	22.6 m	26.4 m	30.0 m	33.8 m	37.6 m	41.5 m	45.3 m	49.1 m	52.1 m
2.5	70.0**	57.7**											
3.0	59.3**	52.5**	50.4	49.0									
3.5	54.4**	48.2	46.2	44.8	39.9								
4.0	50.2	44.4	42.6	41.3	39.9	30.8							
4.5	44.2	41.1	39.6	38.3	37.4	28.7	23.9						
5.0	39.5	37.4	37.2	35.7	34.9	26.9	23.9	17.6					
6.0	32.3	31.3	31.5	31.2	30.9	26.2	22.8	18.6	14.2				
7.0	27.2	26.8	26.9	26.6	26.9	26.0	20.8	18.6	14.2	10.6			
8.0	23.4	23.1	23.3	23.0	23.3	23.5	20.4	17.6	14.2	10.6	8.3		
9.0			20.6	20.0	20.3	20.5	19.0	16.4	14.2	10.6	8.3	6.8	
10.0			18.2	17.6	18.4	18.1	17.8	15.1	13.3	10.6	8.3	6.8	5.8
12.0			14.4	14.8	14.7	14.7	14.8	12.9	11.7	10.6	8.3	6.8	5.8
14.0				11.4	11.7	11.8	11.5	11.1	10.4	9.5	8.3	6.8	5.8
16.0				9.0	9.6	9.5	9.1	8.9	9.1	8.5	7.9	6.8	5.8
18.0					7.9	7.7	7.6	7.8	7.4	7.4	7.1	6.6	5.8
20.0					6.4	6.4	6.8	6.5	6.2	6.1	6.3	6.0	5.7
22.0						5.9	5.7	5.4	5.6	5.5	5.2	5.3	5.3
24.0						3.8	4.9	4.9	4.8	4.7	4.7	4.4	4.5
26.0							4.2	4.4	4.1	4.0	4.0	3.7	3.8
28.0								3.8	3.8	3.6	3.4	3.2	3.2
30.0								3.3	3.3	3.1	2.9	2.7	2.7
32.0									2.8	2.7	2.5	2.2	2.3
34.0									2.5	2.3	2.2	1.9	1.9
36.0										2.0	1.8	1.6	1.6
38.0										1.7	1.5	1.3	1.3
40.0											1.3	1.0	1.0
42.0											1.1	0.8	0.8
44.0												0.6	0.6



→ m	11.1 m*	11.1 m	14.9 m	18.8 m	22.6 m	26.4 m	30.0 m	33.8 m	37.6 m	41.5 m	45.3 m	49.1 m	52.1 m
2.5	70.0**	57.7**											
3.0	59.3**	52.5**	50.4	49.0									
3.5	54.4**	48.2	46.2	44.8	39.9								
4.0	48.6	44.4	42.6	41.3	39.9	30.8							
4.5	42.8	40.5	39.6	38.3	37.4	28.7	23.9						
5.0	38.1	36.8	36.9	35.7	34.9	26.9	23.9	17.6					
6.0	31.1	30.8	30.9	30.6	30.9	26.2	22.8	18.6	14.2				
7.0	26.1	26.2	26.4	26.1	26.4	26.0	20.8	18.6	14.2	10.6			
8.0	22.3	22.6	22.7	22.4	22.7	23.0	20.4	17.6	14.2	10.6	8.3		
9.0			20.1	19.5	20.3	20.0	19.0	16.4	14.2	10.6	8.3	6.8	
10.0			17.7	17.4	17.9	17.7	17.6	15.1	13.3	10.6	8.3	6.8	5.8
12.0			13.4	13.7	13.6	14.2	13.7	12.8	11.7	10.6	8.3	6.8	5.8
14.0				11.0	11.1	10.9	10.6	10.2	10.3	9.5	8.3	6.8	5.8
16.0				8.7	8.8	8.7	8.4	8.8	8.4	8.3	7.9	6.8	5.8
18.0					7.2	7.1	7.5	7.2	6.8	6.8	7.0	6.6	5.8
20.0					5.8	6.3	6.2	5.9	6.1	6.0	5.7	5.8	5.7
22.0						5.4	5.2	5.3	5.1	5.0	5.1	4.8	4.8
24.0						3.4	4.4	4.6	4.4	4.4	4.3	4.0	4.0
26.0							4.1	3.9	3.9	3.7	3.6	3.3	3.3
28.0								3.4	3.4	3.2	3.1	2.8	2.8
30.0								3.0	2.9	2.7	2.6	2.3	2.3
32.0									2.5	2.3	2.2	1.9	1.9
34.0									2.2	2.0	1.8	1.6	1.6
36.0										1.7	1.5	1.3	1.3
38.0										1.4	1.3	1.0	1.0
40.0											1.0	0.8	0.8
42.0											0.8	0.5	0.6

\* Over rear · Nach hinten · A l'arrière · Hacia atrás · Indietro · Назад

\*\* With additional lifting equipment · Mit Zusatzhubausrüstung · Avec équipement de levage supplémentaire

Con equipamiento de elevación adicional · Con attrezzaggio di sollevamento supplementare · С дополнительным подъемным оборудованием